

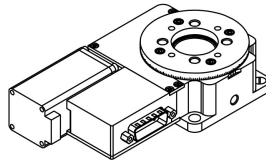
RSM Series Datasheet

- Worm gear driven for continuous rotation
- Two lens holders allow for use as a polarizer mount
- Speed up to 75 rpm and torque up to 225 N-cm
- 23 mm aperture
- Designed for use with a X-MCB1 controller or can be used with any 2-phase stepper motor controller
- Custom versions available

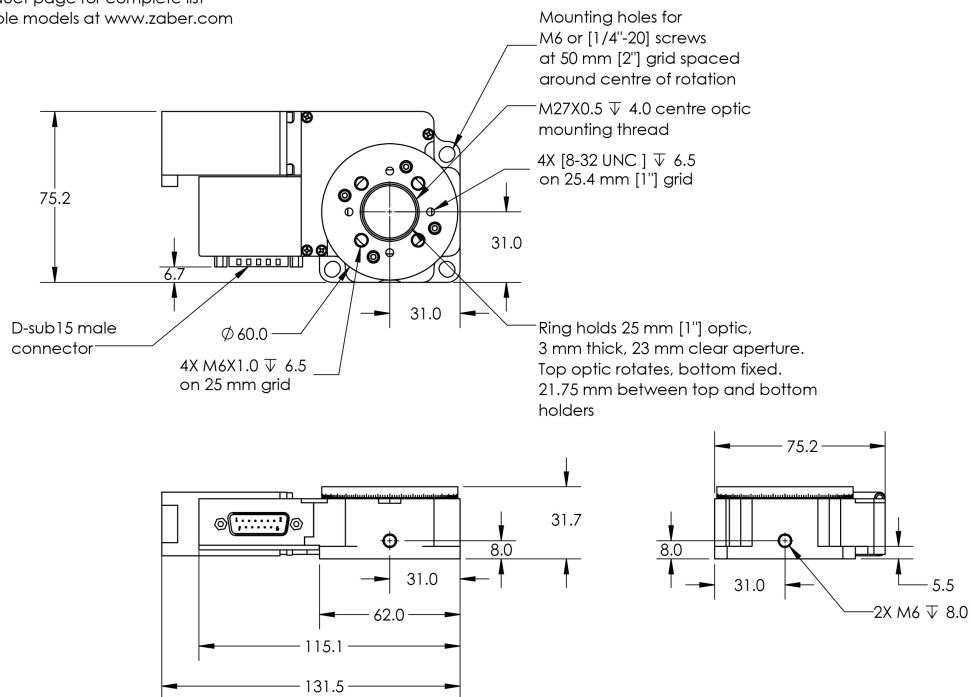
Zaber's RSM Series rotation stages are our most compact stepper and worm gear driven devices. Self-aligning feet and mounting points make it easy to set up multi-axis tilt or gimbal systems using the GSM tilt devices or AP146 and AB147 brackets. RSM stages are designed for plug-and-play use with any of Zaber's controllers.

Drawings

ZABER
 RSW Motorized Rotary Stage
 dimensions in mm



*See product page for complete list of available models at www.zaber.com



DWG 1184 R01

Specifications

Specification	Value	Alternate Unit
Built-in Controller	No	
Recommended Controller	X-MCB1 (48 V) Recommended	
Range	360 °	
Accuracy (unidirectional)	0.08 °	1.396000 mrad
Repeatability	< 0.02 °	< 0.349 mrad
Backlash	< 0.04 °	< 0.698 mrad
Encoder Type	None	
Maximum Centered Load	200 N	44.9 lb
Maximum Cantilever Load	410 N-cm	580.6 oz-in
Stage Top Dimension	60 mm	2.362 "
Motor Type	Stepper (2 phase)	
Motor Rated Current	1500 mA/phase	
Motor Winding Resistance	2.05 ohms/phase	
Inductance	1 mH/phase	
Motor Connection	D-sub 15	
Mechanical Drive System	Precision Worm Gear	
Limit or Home Sensing	Magnetic home sensor	
Vacuum Compatible	No	
RoHS Compliant	Yes	
CE Compliant	Yes	
Weight	0.62 kg	1.367 lb

Part Number	Microstep Size (Default Resolution)	Maximum Speed	Minimum Speed	Maximum Continuous Torque
-------------	-------------------------------------	---------------	---------------	---------------------------

Part Number	Angular Motion Per Motor Rev
-------------	------------------------------

Charts

Torque Speed Performance

